



The new all-electric EQB

Mercedes-Benz





Power up your playground.

Powerful, confident, the new all-electric EQB is the family SUV that adapts to your personal needs and makes the switch to electric straightforward. Beautifully designed, generously proportioned and offering a variety of intelligent and intuitive touches, it offers a range of up to 536 km¹ according to WLTP on one charge. You'll have the space to reignite your sense of adventure and enjoy every trip to the full.

¹The stated figures are the determined "WLTP CO₂ figures" in accordance with Article 2, No. 3, of Implementing Regulation (EU) 2017/1153. Fuel consumption figures have been calculated on this basis. The electrical consumption and range have been determined on the basis of Regulation (EU) 2017/1151.



More space. Bigger adventures.

The new all-electric EQB offers ample space for up to seven¹ people, with flexible seating configurations and an EASY-ENTRY system for comfortable access to the third row. The spacious boot accommodates luggage for even long adventures and front row comfort seats with optional electrically adjustable memory function make finding your preferred setting simple. All this in a variety of upholstery options and colours.

¹ Optional equipment depending on the individual configuration.



Make every journey magical.

The cockpit is your playground. Surround yourself with delightful but practical design touches, including the freestanding central media display and centre console with ample storage. The various optional trim elements together with your personal ambient lighting setting will make the adventure all the more yours. Hands on the innovative multifunction sports steering wheel and let the adventure begin.

Dynamic. Powerful. Confident.

With its strong lines and definitive design the new all-electric EQB makes a bold statement. Flushly positioned wheels make for enhanced aerodynamics. The newly designed black panel grille with Mercedes-Benz pattern, together with seamlessly integrated LED High Performance headlamps and continuous LED light strips at the front and rear ensure every adventure is memorable.



Play. Your way.

Make journeys more pleasurable with intuitive MBUX Entertainment¹ that quickly learns your preferences, from third-party¹ music streaming playlists, radio stations to ambient lighting choices. Your preferences and even mood can be met. And the Burmester® Surround-Soundsystem with Dolby Atmos^{®2} provides the perfect sound system. All this and many more functions can be controlled by simply waving your hand or saying “Hey Mercedes” to the MBUX Interior Assistant³.



¹ To use the digital service “MBUX Entertainment”, a separate customer-specific contract with a third-party streaming provider and the customer’s own data volume are required. In addition, the respective vehicle must be linked to the user account. Country restrictions apply due to the availability of streaming providers services. For the usage of the Digital Extras services and on-demand features, a Mercedes me ID is needed and the Terms of Use for Digital Extras services accepted.

² Optional equipment depending on the individual configuration.

³ To use the digital service “MBUX Interior Assist”, a separate customer-specific contract with a third-party streaming provider and the customer’s own data volume are required. In addition, the respective vehicle must be linked to the user account. Country restrictions apply due to the availability of streaming providers services. For the usage of the Digital Extras services and on-demand features, a Mercedes me ID is needed and the Terms of Use for Digital Extras services accepted.



Safely better.

However many twists and turns in your upcoming adventures, the new all-electric EQB offers advanced safety support¹. This includes Active Brake Assist² (when hazards are detected), along with optional features such as Active Lane Keeping Assist² and Blind Spot Assist². Other add-on functions like Active Parking Assist² and a 360° camera² will also help find that elusive space and manoeuvre in and out, all supported by an impressive virtual bird's-eye view.

¹Our driving assistance and safety systems are merely aids, and do not relieve you of your responsibility as the driver. Please take note of the information in the Operator's Manual and the system limits, which are described therein. Optional equipment depending on the individual configuration.

²Optional equipment depending on the individual configuration.





That's entertainment.

MBUX Entertainment² offers a world of fun to power up even the longest journey. You even have the option of onboard minigames³ – the perfect way to keep the family amused when you're taking a break along the way.



Know what's ahead.

Wherever the adventure leads you, don't take your eyes off the road. The optional Head-up display projects important information directly onto your windshield. This includes speed, navigation and traffic updates.



Reality upgraded.

With optional MBUX Augmented Reality for navigation, a camera films the road ahead and this image, together with direction arrows and traffic light status, is superimposed onto your navigation map.

¹In order to allow use of the Digital Extras services "Mercedes me Charge", a separate charging contract with a selected third-party provider is required for charging payment and billing purposes. A personal Mercedes me ID and agreement to the Terms of Use for the Digital Extras services are required for use of the Digital Extras. In addition, the respective vehicle must be linked to the user account. Country restrictions apply. Optional equipment depending on the individual configuration. ²To use the digital service "MBUX Entertainment", a separate customer-specific contract with a third-party streaming provider and the customer's own data volume are required. In addition, the respective vehicle must be linked to the user account. Country restrictions apply due to the availability of streaming providers services. For the usage of the Digital Extras services and on-demand features, a Mercedes me ID is needed and the Terms of Use for Digital Extras services accepted. Display contents may differ from series status. ³For safety reasons, it is not possible to play while driving.

Progressive.

Take the adventure further. Make your new all-electric EQB even more impressive with a range of innovative design touches, both inside and out, that transform your vehicle into a bold style statement. Features include a newly designed black panel grille with Mercedes-Benz pattern and silver chrome air vents in the interior.

Images may show additional items of special equipment.



Electric Art.

With the Electric Art line you can experience electric mobility in every fibre of the interior. Colour accents in rose gold adorn both upholstery and air vents. The backlit trim element is also symbolic of technological progress. Special 18-inch light-alloy wheels convey this intrinsic value on the exterior.

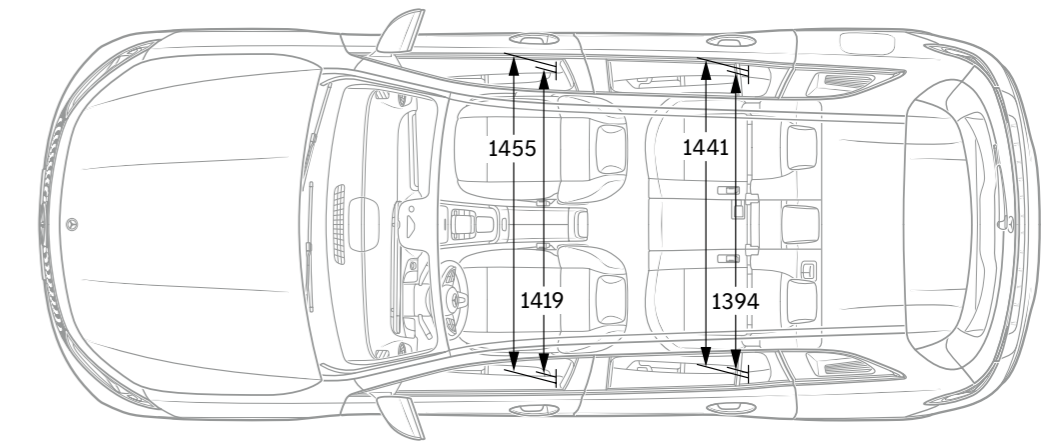
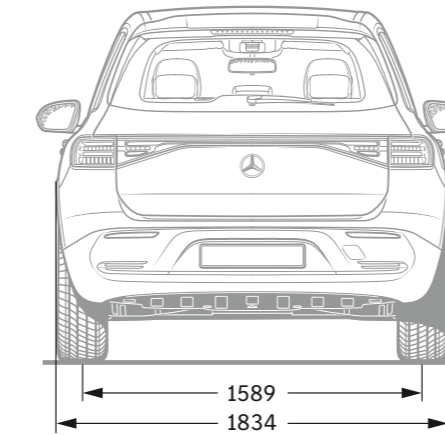
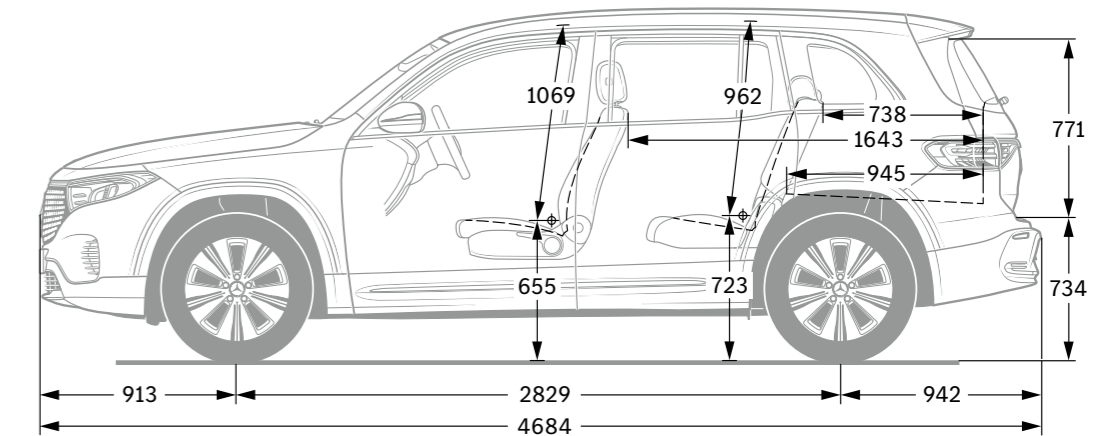
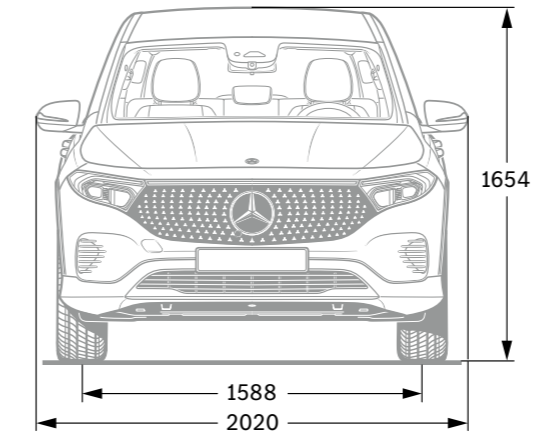
Images may show additional items of special equipment.



Technical data.

	EQB 250+ Progressive	EQB 250+ Electric Art
Rated output (kW [hp])	140 [190]	
Rated torque (Nm)	385	
Acceleration 0 - 100 km/h (sec)	8.9	
Top speed (km/h)	160	
Range in km (WLTP)	Up to 569 km	
Power consumption (kWh/100km)	18.4	
VES band	A1	

Dimensions.



Rated output and torque figures in accordance with Directive 80/1269/EEC in the currently applicable version. Energy consumption figures are derived from combined tests & tested by local regulations in accordance with UN ECE R101. Under real-life driving conditions deviations may occur in comparison to the certified standard values. The actual values are influenced by a number of individual factors, such as personal driving style, environmental and route conditions. Further technical data may be found on www.mercedes-benz.com.sg

All figures in millimetres. The dimensions shown are mean values. They are valid for vehicles with standard equipment and in unladen condition.

Please note: changes may have been made to the product since the editorial deadline (March 2024). The manufacturer reserves the right to make changes to the design, form, colour and the product specification during the delivery period, provided these changes, while taking into account the interests of the vendor, can be deemed reasonable with respect to the purchaser. Where the vendor or the manufacturer uses symbols or numbers to describe an order or the subject of an order, no rights may be derived solely from these. The illustrations may show accessories and items of optional equipment which are not part of standard specification.

This publication is distributed internationally. However, information regarding statutory regulations, legal requirements and taxation and the consequences thereof applies to the Federal Republic of Germany only and is correct at the time of the editorial deadline. For the definitive latest information, please contact your nearest authorised Mercedes-Benz AG sales partner.

www.mercedes-benz.com.sg

Mercedes-Benz Singapore Pte. Ltd.



CYCLE & CARRIAGE

Mercedes-Benz Singapore Customer Care Center: 1800 329 7540 · cs.sgp@cac.mercedes-benz.com

Cycle & Carriage (Authorised Dealer) – Showroom Enquiries: 6298 1818.

Mercedes-Benz Center, 301 Alexandra Road, Singapore 159968. Mon – Sat: 8.30 am – 7 pm, Sun & PH: 10 am – 6 pm.