



THE NEW CLE COUPÉ

Mercedes-Benz





SHAPED BY DESIRE.

If passion were to take shape, it would be the new CLE Coupé. The successful synthesis of elegant design, powerful presence and dynamic sportiness is reflected, among other things, in the front end with deeply sloping “sharknose” and radiator shell in A-shape with Mercedes-Benz pattern.

PROGRESSIVENESS WRITTEN ALL OVER ITS FACE.

The front end of the CLE Coupé is both dynamic and elegant. In addition to the powerdomes on the bonnet, the striking elements include the newly designed LED headlamps with optional DIGITAL LIGHT, the low-positioned radiator shell in A-shape with Mercedes-Benz pattern and the distinctive “sharknose”.



A PERFECT FINISH: THE REAR END.

Powerful shapes meet brilliant details – The new rear design shines with form with state-of-the-art two-part rear lamps and chrome trim elements. The rear axle steering with up to 2.5° steering angle stands for sporty and agile driving pleasure that accompanies you every day.





THE CLE COUPÉ SHOWS CHARACTER.

A defining characteristic is the elongated coupé silhouette with powerfully designed bonnet, long wheelbase and muscular rear. Added to this are harmoniously designed surfaces with selected lines that emphasise the coupé design idiom, as well as the powerful rear wings. Matching 45.7 cm (18-inch) to 50.8 cm (20-inch) light-alloy wheels are available.



INTERIOR OF THE NEW CLE COUPÉ.

The optional AMG Line interior impresses with its stylish sportiness and wide range of customisation options. The 30.2 cm (11.9-inch) central display is also razor-sharp, complemented by the 31.2 cm (12.3-inch) digital instrument display. Here, too, you have the choice of which information is important and how it is displayed.

The image shows the front interior of a car with two red leather seats. The seats have a distinctive design with vertical pleats and a perforated texture on the lower backrests. Integrated head restraints are visible on both seats. The car's interior is finished with dark grey or black panels on the door and center console. The lighting is soft, highlighting the texture of the leather.

AN EXPRESSIVE PLACE TO RELAX.

The avant-garde sports seat design with integrated head restraints not only looks good, it also does you good thanks to the optional 7-zone massage function. Individualisation is not neglected here either: choose between seemingly countless colour schemes of ambient lighting that visualise various vehicle functions.



Intuitive, intelligent, integrated.

The new MBUX infotainment generation^{1,2} offers numerous new functions and services as well as interaction options between you and your CLE Coupé. All displays form a holistic aesthetic experience and can be individualised via display styles, modes and colour schemes.

Safe support with the assistance systems.

With MBUX Augmented Reality for Navigation, the new CLE Coupé not only has a view of everything that is happening in front of the vehicle, but also has navigation elements displayed in animated form.

¹Optionally selectable equipment depending on configuration. ²A personal Mercedes me ID and agreement to the Terms of Use for the Mercedes me connect services are required to use the services. In addition, the vehicle must be paired with the corresponding user account. Upon expiry of the initial term, the services can be renewed on payment of a fee, provided they are still offered for the corresponding vehicle at that point. Initial activation of the services is possible within one year of initial vehicle registration or commissioning by the customer, whichever comes first. Use of the MBUX Entertainment Plus package also requires the customer's own data volume. In order to use certain apps via the Mercedes me connect service, a separate customer-specific contract with app provider may be required.



Inviting: the frameless doors.

The frameless doors, together with the flatter silhouette, emphasise the sporty character of the CLE Coupé. They express lightness and elegance and place the new CLE in a row with legendary coupés from the past.



Powerful looks.

In keeping with the sporty character of the new CLE Coupé with its short overhangs as well as the broadly flared wheel wells at the front and the muscular wheel arch at the rear, a range of aerodynamically optimised light-alloy wheels is also optionally available in 50.8 cm (20-inch).



Burmester® 3D surround sound system.

Experience more performance and exclusivity with the legendary Burmester® 3D surround sound system. The optionally available high-performance speakers develop a first-class surround sound. You can optimise this specifically for the front and rear seats and intensify the listening experience.¹

¹Optionally selectable equipment depending on configuration.



Head-up display.

The best outlook for sporty driving pleasure and an assured driving experience: the enhanced optional head-up display transforms your windscreen into a fascinating digital cockpit with new functions. This means that you always have a direct view of key information.

AVANTGARDE.

The new CLE Coupé comes with AVANTGARDE: on the exterior that means LED headlamps and a chrome-trimmed radiator shell. In the interior, high quality materials have been used. Five colours are available for selection in a nappa look and with apparently hand-stitched seams.

¹Optionally selectable equipment depending on configuration.

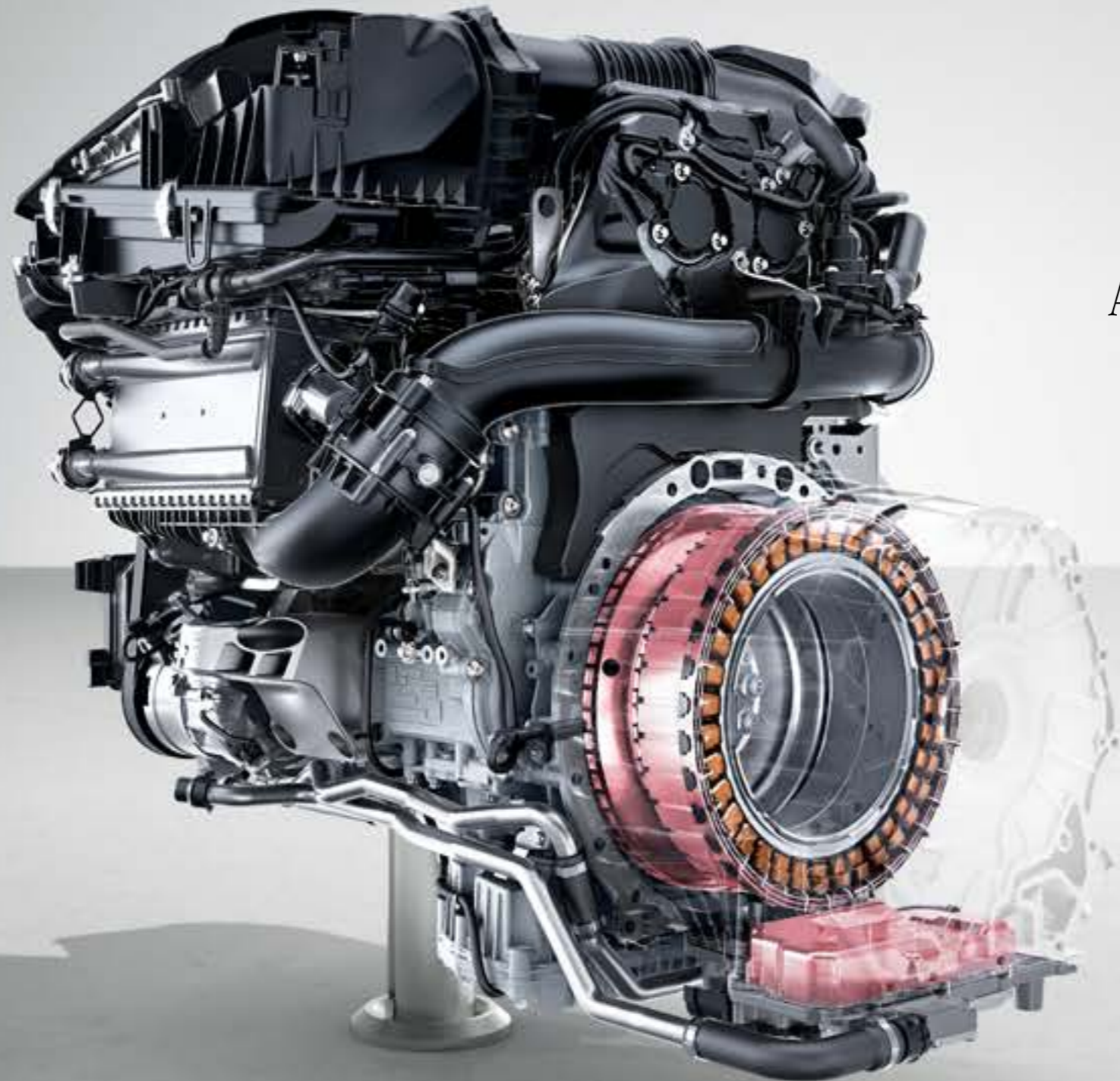
AMG Line.

The expressive styling of the AMG Line¹ gives the CLE Coupé a sporty, exclusive touch: with sporty surfaces on the beltlines, flared wheel arch liners in the vehicle colour and a three-spoke steering wheel, which has a diameter of just 370 mm.

Night Package.

Many details of the new CLE Coupé are finished in high-gloss black in this equipment package: the louvre in the radiator shell with Mercedes-Benz pattern, the AMG light-alloy wheels, the AMG front apron and the exterior mirror housing. The roof railing in matt black represents the crowning glory.





ENGINE VARIANTS AS DIVERSE AS YOUR REQUIREMENTS.

Our aim is to get you to your destination with satisfaction.
Driving pleasure is always guaranteed in the CLE Coupé.

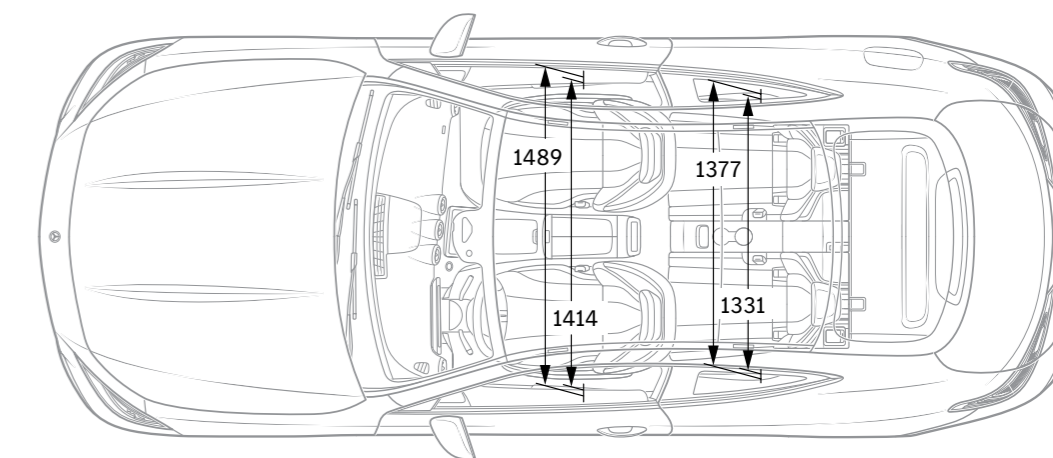
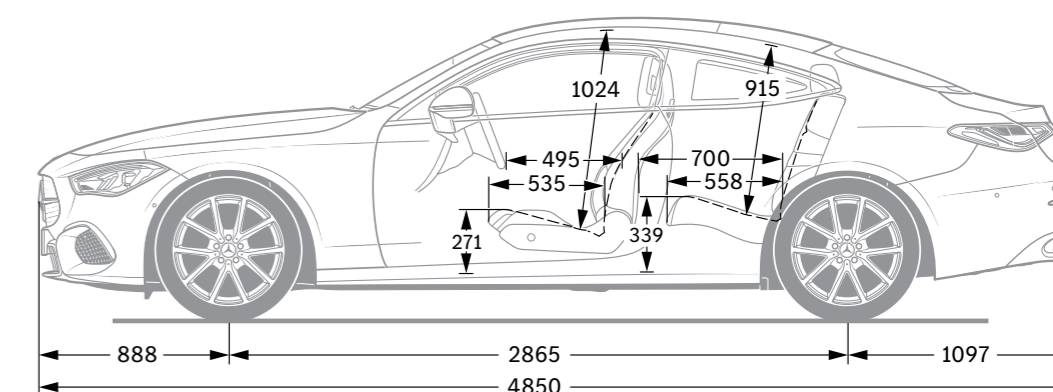
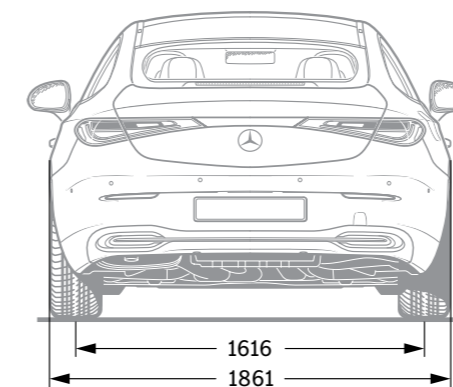
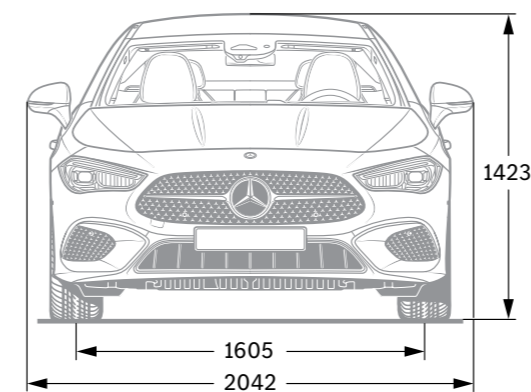
Technical data.

	CLE 200 Coupé AVANTGARDE	CLE 200 Coupé AMG Line
No. of cylinders/arrangement	4/In-line	
Displacement (cc)	1,999	
Rated output (kW[hp]/rpm)	150 [204] / 5,800	
Rated torque (Nm/rpm)	320 / 1,600 - 4,000	
Acceleration 0 - 100 km/h (s)	7.4	
Top speed (km/h)	240	
Fuel consumption, combined (l/100km)	7.1	
VES band	C1	

**The best for the engine:
Mercedes-Benz genuine engine oils.**

The availability of the communication module (LTE) is temporarily limited for certain vehicles due to supply bottlenecks. Please note that especially Mercedes me connect services including the emergency call system (eCall) are not available in the affected vehicles upon delivery. For further enquiry, please contact your Mercedes-Benz Sales Representative or Cycle & Carriage Customer Assistance Centre at 6471 9111. 1 Rated output and torque figures in accordance with Directive 80/1269/EEC in the currently applicable version. 2 Fuel consumption figures are derived from combined tests & tested by local regulations in accordance with UN ECE R101. Under real-life driving conditions deviations may occur in comparison to the certified standard values. The actual values are influenced by a number of individual factors, such as personal driving style, environmental and route conditions. Further technical data may be found on www.mercedes-benz.com.sg.

Dimensions.



All figures in millimetres. The dimensions shown are mean values. They are valid for vehicles with standard equipment and in unladen condition.

Please note: changes may have been made to the product since the editorial deadline (March 2024). The manufacturer reserves the right to make changes to the design, form, colour and the product specification during the delivery period, provided these changes, while taking into account the interests of the vendor, can be deemed reasonable with respect to the purchaser. Where the vendor or the manufacturer uses symbols or numbers to describe an order or the subject of an order, no rights may be derived solely from these. The illustrations may show accessories and items of optional equipment which are not part of standard specification.

This publication is distributed internationally. However, information regarding statutory regulations, legal requirements and taxation and the consequences thereof applies to the Federal Republic of Germany only and is correct at the time of the editorial deadline. For the definitive latest information, please contact your nearest authorised Mercedes-Benz AG sales partner.

www.mercedes-benz.com.sg

Mercedes-Benz Singapore Pte. Ltd.



CYCLE & CARRIAGE

Mercedes-Benz Singapore Customer Care Center: 1800 329 7540 · cs.sgp@cac.mercedes-benz.com

Cycle & Carriage (Authorised Dealer) – Showroom Enquiries: 6298 1818.

Mercedes-Benz Center, 301 Alexandra Road, Singapore 159968. Mon – Sat: 8.30 am – 7 pm, Sun & PH: 10 am – 6 pm.