



THE NEW GLB.

Mercedes-Benz



POWER OF POSSIBILITIES.

At home in any terrain: the clear lines and powerful proportions lend the new Mercedes-Benz GLB a striking appearance with off-road character. As a compact SUV, however, it offers far more than just a dynamic look and feel: the spacious, variable interior has room for up to seven people.¹



¹Optionally selectable equipment depending on configuration.



A STRONG IMPRESSION FROM THE WORD GO.

The characteristic front section is even more expressively styled, with standard all-LED headlamps and a new off-road radiator grille as well as a restyled bumper with a simulated underguard. The optional MULTIBEAM LED headlamps also light up the way ahead.



ICONIC DESIGN FROM ALL ANGLES.

The distinctive design of the rear section with its muscular shoulders and the restyled LED rear lamps underscores the off-road character. The new diffuser look of the bumper also helps to ensure that the full aura of the new GLB is also fully appreciated from behind.



STREETS AHEAD IN COMFORT.

What looks like off-road on the outside also feels like it on the inside. The functionally oriented, progressive design of the interior in the new Mercedes-Benz GLB combines sporty elegance with robustness and high quality. The high seat position in conjunction with luxury seats and upholstery in ARTICO man-made leather / fabric¹ and the new multifunction sports steering wheel are immediately pleasing.

¹Optionally selectable equipment depending on configuration.



EXTENDS
YOUR COMFORT ZONE.

With the third row seats as standard and the longitudinally adjustable second row seats, the new GLB offers lots of room for friends or a large family.

¹Optionally selectable equipment depending on configuration.



MAXIMUM FLEXIBILITY FOR YOUR EVERYDAY LIFE.

The load compartment has a capacity of up to 1800 litres and leaves the choice up to you: in addition to the longitudinal adjustment of the second seat row the inclination of the seat backrests is adjustable, saving space. All seats in the rear can also be folded down individually. EASY-PACK tailgate¹ and HANDS-FREE ACCESS¹ make loading and unloading even more convenient.

¹Optionally selectable equipment depending on configuration.



Digital Extras.

The MBUX Voice Assistant is now even more capable of engaging in dialogue and learning via activation of online services in the Mercedes me App¹. Over and above this, further vehicle functions can be activated via voice control. With the Digital Vehicle Key you can even securely transfer temporary drive authorisations to third parties via smartphone.

¹In order to use the Mercedes me connect services you must create a Mercedes me ID and consent to the Terms of Use for the Mercedes me connect services. The presented services and their availabilities and functionalities may in particular be dependent on the vehicle model, year of construction, special equipment selected and country.



MBUX of the latest generation.

Customised infotainment: intuitively controlled via speech, touch or gestures, the intelligent MBUX multimedia system can be seamlessly integrated into your digital life.



New wheel design.

The new 45.7 cm (18-inch) 5-twin-spoke light-alloy wheels in an attractive design give the GLB a firm grip in any situation while emphasising its sporty and robust character. Thanks to the flush-positioned wheels in the voluminous wheel wells the powerful proportions of the off-road-oriented design are effortlessly supported.

¹Our driver assistance and safety systems are aids and do not relieve you of your responsibility as a driver. Please take note of the information in the Owner's Manual and the system limits which are described therein.

²Optionally selectable equipment depending on configuration.

Progressive.

With the Progressive design and equipment line² you can add highlights on and in your Mercedes in a targeted way. The visible tailpipe trims in chrome underscore the dynamic credentials of the SUV on the exterior. In the interior you have a larger selection of colours and materials to choose from for the seat covers.

AMG Line.

Demonstrate that you value sportiness. The distinctive AMG Bodystyling¹ is inspired by the expressive design idiom of Mercedes-AMG. Further elements in the interior such as the sports seats and the multifunction steering wheel in nappa leather reinforce this overall impression. The larger brake system supports sporty driving.

¹Optionally selectable equipment depending on configuration.

Night Package.

With the Night Package¹ you can create visual highlights and demonstrate your penchant for expressive design and individuality. The trim elements on the front and rear aprons, as well as the louvres on the radiator grille, are in high-gloss black for example. Depending on the vehicle's paint finish, this creates abrupt contrasts or smooth transitions.



48 V technology.

To increase efficiency and resultant reductions in fuel consumption, 48 V technology is now used for petrol engines. This technology operates the belt-driven starter generator and also delivers additional power and torque when required temporarily (for example when accelerating).

Technical data.

No. of cylinders/arrangement	4/In-line
Displacement (cc)	1,332
Rated output (kW[hp]/rpm)	96[130] / 5,500
Rated torque (Nm/rpm)	230 / 1,660 - 3,000
Acceleration 0-100 km/h (sec)	10.3
Top speed (km/h)	197
Fuel consumption (l/100km)	6.9
VES band	B

TECHNICAL DATA

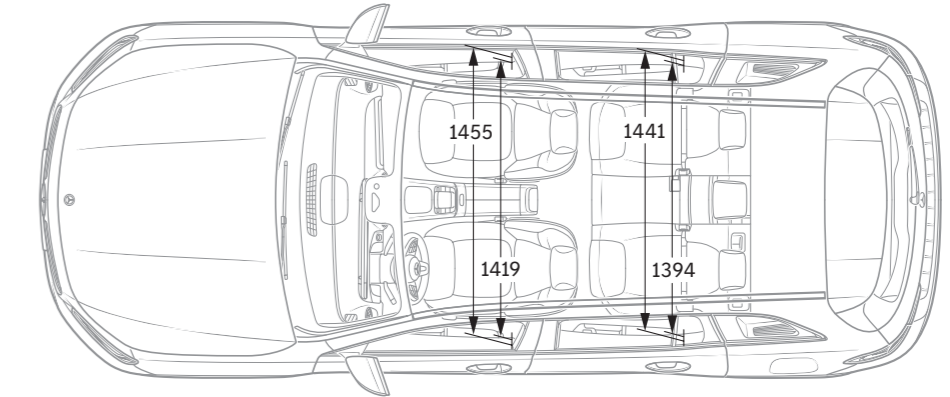
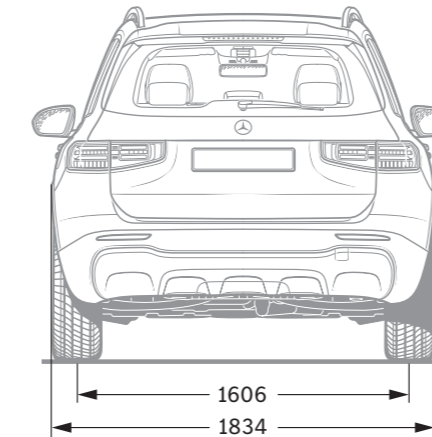
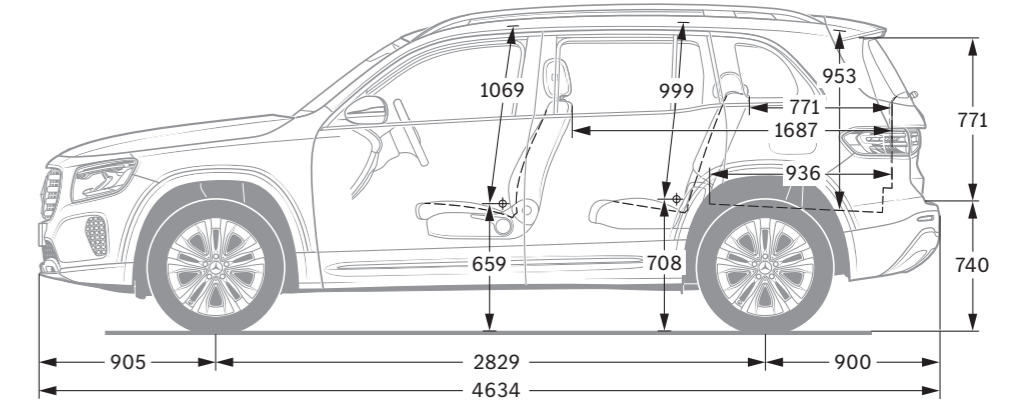
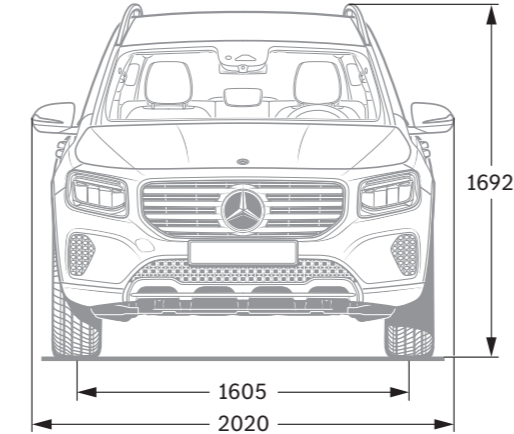
GLB 180 Progressive

No. of cylinders/arrangement	4/In-line
Displacement (cc)	1,332
Rated output (kW[hp]/rpm)	96[130] / 5,500
Rated torque (Nm/rpm)	230 / 1,660 - 3,000
Acceleration 0-100 km/h (sec)	10.3
Top speed (km/h)	197
Fuel consumption (l/100km)	6.9
VES band	B

The best for the engine:
Mercedes-Benz genuine engine oils.

The availability of the communication module (LTE) is temporarily limited for certain vehicles due to supply bottlenecks. Please note that especially Mercedes me connect services including the emergency call system (eCall) are not available in the affected vehicles upon delivery. For further enquiry, please contact your Mercedes-Benz Sales Representative or Cycle & Carriage Customer Assistance Centre at 6471 9111. 1 Rated output and torque figures in accordance with Directive 80/1269/EEC in the currently applicable version. 2 Fuel consumption figures are derived from combined tests & tested by local regulations in accordance with UN ECE R101. Under real-life driving conditions deviations may occur in comparison to the certified standard values. The actual values are influenced by a number of individual factors, such as personal driving style, environmental and route conditions. Further technical data may be found on www.mercedes-benz.com.sg.

Dimensions.



All figures in millimetres. The dimensions shown are mean values. They are valid for vehicles with standard equipment and in unladen condition.

Please note: changes may have been made to the product since the editorial deadline (December 2023). The manufacturer reserves the right to make changes to the design, form, colour and the product specification during the delivery period, provided these changes, while taking into account the interests of the vendor, can be deemed reasonable with respect to the purchaser. Where the seller or the manufacturer uses symbols or numbers to describe an order or the subject of an order, no rights may be

derived solely from these. The illustrations may show accessories and items of optional equipment which are not part of standard specification. For current and more specific information in relation to the regulations and requirements in your own country and their consequences, please contact our authorised dealer.

www.mercedes-benz.com.sg

Mercedes-Benz Singapore Pte. Ltd.



CYCLE & CARRIAGE

Mercedes-Benz Singapore Customer Care Center: 1800 329 7540 · cs.sgp@cac.mercedes-benz.com

Cycle & Carriage (Authorised Dealer) - Showroom Enquiries: 6298 1818.

Mercedes-Benz Center, 301 Alexandra Road, Singapore 159968. Mon – Sat: 8.30 am – 7 pm, Sun & PH: 10 am – 6 pm.