



THE CLA COUPÉ

Mercedes-Benz



EXPRESS YOUR DRIVE.

The elegant silhouette of the CLA Coupé has always possessed a magically eye-catching allure. Now it's time to take a closer look at its latest features: discover the new front apron, the expressive radiator grille with Mercedes-Benz pattern and the LED headlamps featuring a new inlay design, for example. Added to this is a selection of new wheel designs with which to give expression to your individual style.





YOUR FULLY DIGITALISED COMFORT ZONE.

The interior of the new CLA Coupé makes its mark with avant-garde architecture and a state-of-the-art control concept. The optimised interior comes as standard, along with our 2nd generation MBUX (NTG7) multimedia system, complete with wireless smartphone integration with Apple® Carplay® & Android Auto®. Its multifunction sports steering wheel comes with a brand new design, with further individualisation possible as well.

13
14
15
16
17
18
19
20
21
22
23
24
25
26
27
28
29
30
31
32
33
34
35
36
37
38
39
40
41
42
43
44
45
46
47
48
49
50
51
52
53
54
55
56
57
58
59
60
61
62
63
64
65
66
67
68
69
70
71
72
73
74
75
76
77
78
79
80
81
82
83
84
85
86
87
88
89
90
91
92
93
94
95
96
97
98
99
100

YOUR VERY SPECIAL SEAT OF EXCELLENCE.

In the AMG Line, the new CLA Coupé offers sports seats¹ with optimised lateral support and integrated head restraints – optionally in ARTICO man-made leather in sage grey. The memory function¹ additionally allows you to save up to three different seat positions, which you can then select at your convenience.

¹Optionally selectable equipment depending on configuration.

SPORTY AND MUSCULAR EXTERIOR.

The athletic lines of the new CLA Coupé flow into the elegantly sporty GT rear end featuring a wide track and wheels fitted flush with the body contours. The modified rear bumper boasting a new diffuser look and the standard full LED rear lamps underscore the self-confident appearance and conjure up an emotional impression by day and night.





Fully digital cockpit with latest-generation MBUX.

The central 26 cm (10.25-inch) media display combines with the 26 cm (10.25-inch) instrument display under a shared glass surface to create an impressive Widescreen Cockpit. And the latest generation of the MBUX multimedia system lends the CLA Coupé an even more digitalised, intelligent and individual character.



Redesigned centre console.

Everything quickly to hand – and ready to use. The new centre console with stowage compartment offers more storage space and the controls have been arranged for even more intuitive use. The back-lit USB-C ports offer you and your passengers a convenient means of recharging your mobile devices. If so desired, the ports can be concealed behind an elegant cover.



New light-alloy wheels (optional).

Show off your individual style: in conjunction with the AMG Line¹, for example, with aerodynamically optimised 48.3 cm (19-inch) multi-spoke light-alloy wheels¹. Or with the likewise aerodynamically optimised 45.7cm (18-inch) AMG light-alloy wheels in a 5-twin-spoke design that come as standard.

¹Optionally selectable equipment depending on configuration.



Open-pore black ash wood trim (optional).

The trim gives your interior an individual look. It blends in harmoniously while also creating dramatic contrasts, thereby reinforcing and emphasising the interior design. At the same time, the trim is an enduring quality attribute of a meticulously crafted premium product.

¹Optionally selectable equipment depending on configuration.



Progressive.

The Progressive equipment line allows you to add just the highlights you desire on and in your Mercedes. The visible tailpipe trims underscore the vehicle's dynamic character, for example. Trim elements in a dark carbon-fibre look add flourishes in the interior too. A choice of seat covers in various colours and materials is also available.¹

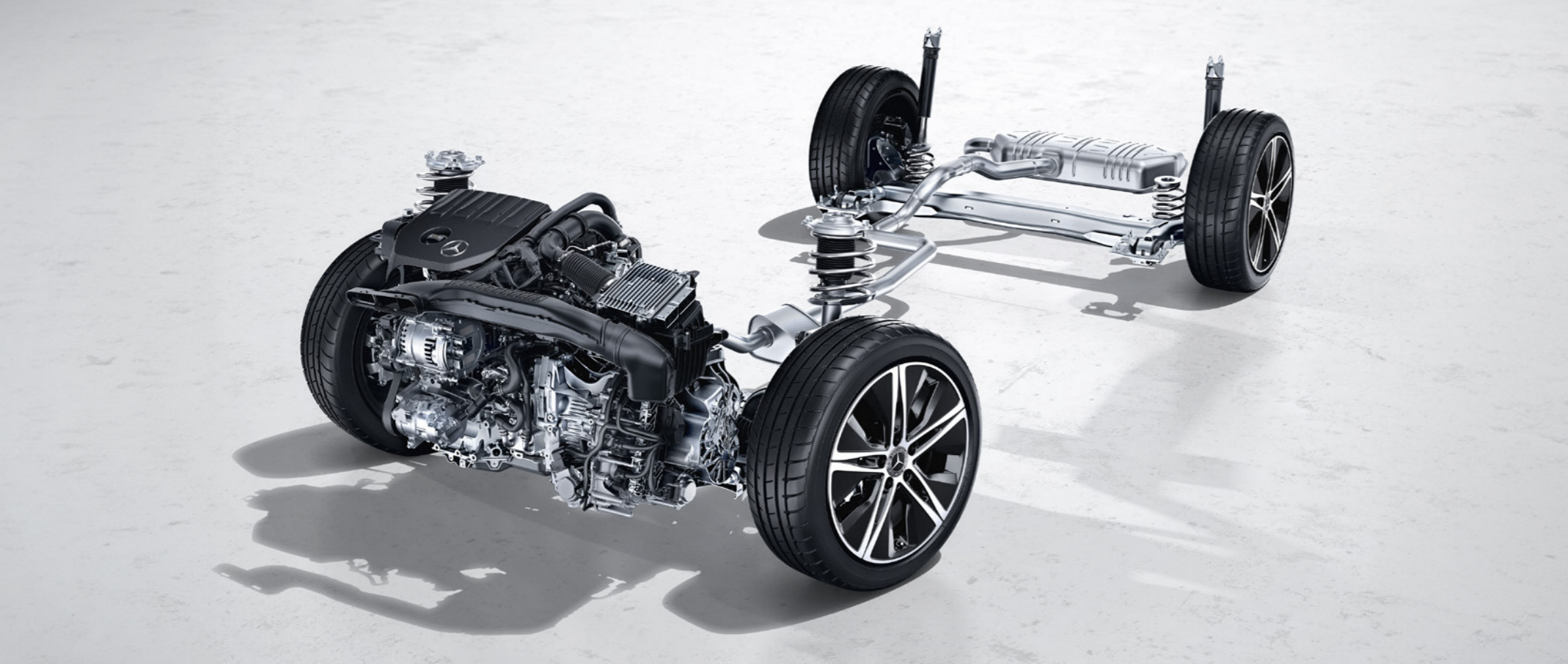
¹Optionally selectable equipment depending on configuration.



AMG Line.

Demonstrate that you value sportiness. The distinctive AMG Bodystyling gives your Mercedes a closer resemblance to the AMG models. Further elements in the interior, such as the sports seats with integrated head restraints, reinforce the expressive overall impression. The larger brake system supports sporty driving.¹

¹Optionally selectable equipment depending on configuration.



The drives of the new CLA Coupé.

The engine portfolio for the new Mercedes-Benz CLA Coupé offers a broad selection of petrol and diesel engines covering a power range from 97 kW¹ (CLA 180 Coupé) to 121 kW¹ (CLA 200 Coupé). As a new standard feature, all models are equipped with 8G-DCT or 7G-DCT automatic transmission.

CLA 180 Coupé | WLTP: combined fuel consumption, weighted: 6.2 l/100 km; combined CO₂ emissions, weighted: 141 g/km.

¹Figures for rated output and rated torque pursuant to Regulation (EC) No. 715/2007 in the currently applicable version.

²The stated figures are the determined "WLTP CO₂ figures" pursuant to Article 2 No. 3 of Implementing Regulation (EU) 2017/1153. Fuel consumption figures have been calculated on this basis.



48 V technology.

To increase efficiency and resultant reductions in fuel consumption, 48 V technology is now used in all petrol engines. This technology operates the belt-driven starter alternator and also delivers additional power and torque very rapidly.

IN FOR THE THRILL. MERCEDÉS-AMG CLA COUPÉ.

The new editions of the Mercedes-AMG CLA 35 4MATIC and Mercedes-AMG CLA 45 S 4MATIC+ bear out their reputation as expressive design icons once again. Both now sport the AMG-specific radiator grille with vertical struts, the AMG emblem on the bonnet and the AMG front apron as clear tokens of their allegiance to the AMG Performance family. They also boast more sharply defined headlamps, new AMG light-alloy wheels and rear lamps in a new design.

www.mercedes-amg.com



AMG

Mercedes-AMG CLA 35 4MATIC (combined fuel consumption 9–8.7 l/100 km, combined CO₂ emissions 205–196 g/km.)¹

¹The stated figures are the determined "WLTP CO₂ figures" pursuant to Article 2 No. 3 of Implementing Regulation (EU)2017/1153. Fuel consumption figures have been calculated on this basis.

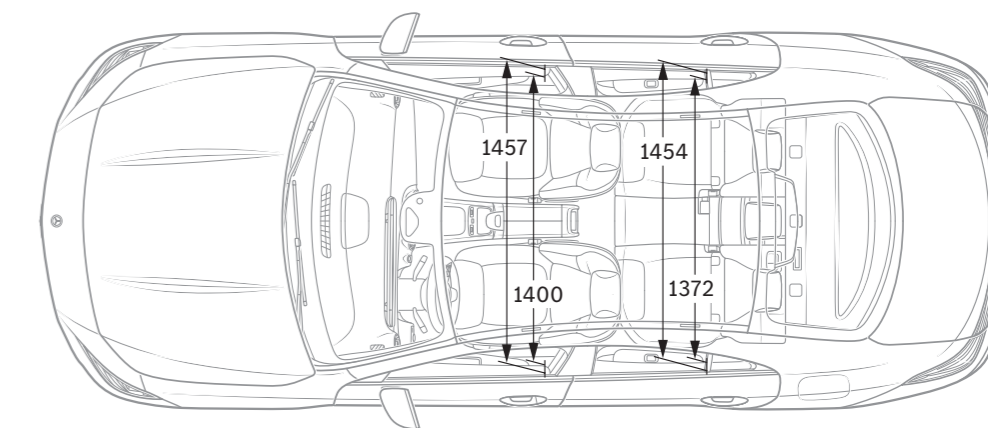
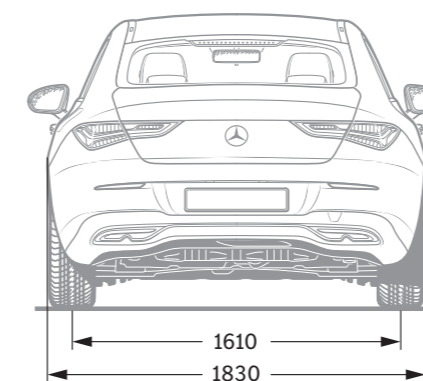
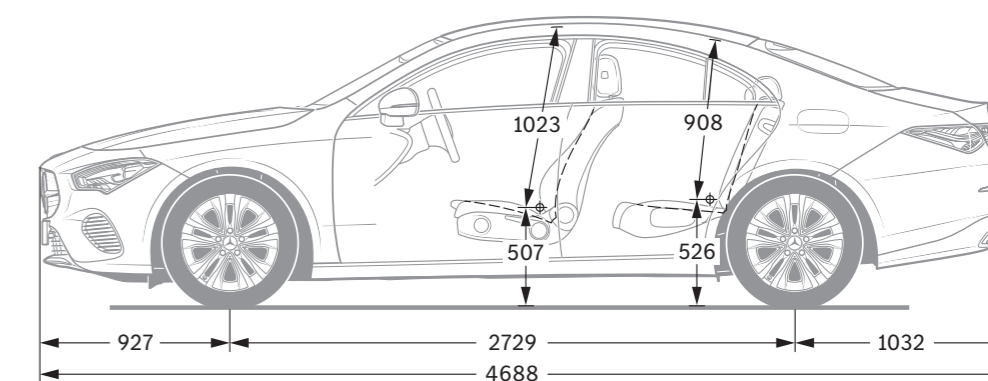
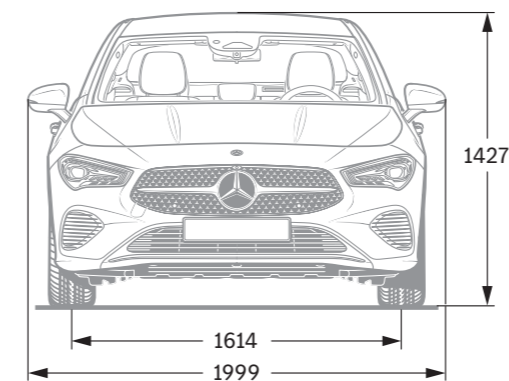
Technical data.

	CLA 180 PROGRESSIVE	CLA 200 AMG LINE
No. of cylinders/arrangement	4/In-line	4/In-line
Displacement (cc)	1,332	1,332
Rated output (hp/rpm)	130 / 5,500	163 / 5,500
Rated torque (Nm/rpm)	230 / 1,660 - 3,000	270 / 2,000 - 3,500
Acceleration 0 - 100 km/h (secs)	9.4	8.4
Top speed (km/h)	216	229
Fuel consumption (l/100km)	6.2	6.2
VES band	B	B

**The best for the engine:
Mercedes-Benz genuine engine oils.**

The availability of the communication module (LTE) is temporarily limited for certain vehicles due to supply bottlenecks. Please note that especially Mercedes me connect services including the emergency call system (eCall) are not available in the affected vehicles upon delivery. For further enquiry, please contact your Mercedes-Benz Sales Representative or Cycle & Carriage Customer Assistance Centre at 6471 9111. 1 Rated output and torque figures in accordance with Directive 80/1269/EEC in the currently applicable version. 2 Fuel consumption figures are derived from combined tests & tested by local regulations in accordance with UN ECE R101. Under real-life driving conditions deviations may occur in comparison to the certified standard values. The actual values are influenced by a number of individual factors, such as personal driving style, environmental and route conditions. Further technical data may be found on www.mercedes-benz.com.sg.

Dimensions.



All figures in millimetres. The dimensions shown are mean values. They are valid for vehicles with standard equipment and in unladen condition.

Please note: changes may have been made to the product since the editorial deadline (September 2023). The manufacturer reserves the right to make changes to the design, form, colour and the product specification during the delivery period, provided these changes, while taking into account the interests of the vendor, can be deemed reasonable with respect to the purchaser. Where the seller or the manufacturer uses symbols or numbers to describe an order or the subject of an order, no rights may be

derived solely from these. The illustrations may show accessories and items of optional equipment which are not part of standard specification. For current and more specific information in relation to the regulations and requirements in your own country and their consequences, please contact our authorised dealer.

www.mercedes-benz.com.sg

Mercedes-Benz Singapore Pte. Ltd.



CYCLE & CARRIAGE

Mercedes-Benz Singapore Customer Care Center: 1800 329 7540 · cs.sgp@cac.mercedes-benz.com

Cycle & Carriage (Authorised Dealer) – Showroom Enquiries: 6298 1818.

Mercedes-Benz Center, 301 Alexandra Road, Singapore 159968. Mon – Sat: 8.30 am – 7 pm, Sun & PH: 10 am – 6 pm.