

EQV - The next move is yours.



Mercedes-Benz





Discover the benefits

of the EQV from Mercedes-Benz.

Without doubt: the future is electric. And we are ready. Ready for something new. All-electric mobility means no local emissions, virtually silent movement and superlative response. In short, an all-new driving experience and a forward-looking form of mobility that is reminiscent of the pioneering achievements of 130 years ago.

In some metropolises you have free access with the EQV from Mercedes-Benz, while vehicles with internal combustion engines are increasingly affected by entry restrictions or even entry bans. In addition, you may be able to benefit from government subsidies and discounts for electromobility. Take advantage of the low operating costs and enjoy a fascinating driving experience: when you press the accelerator in the EQV, you will experience how the power from the high-torque electric motor is immediately converted into impressive propulsion.

Is it important for you to make your mobility as sustainable as possible? Do you drive your vehicles mainly in urban areas? Do you drive predictable routes that match the range of the EQV? Then you should get into electric mobility with the EQV and get started.

Environmentally friendly

With the EQV, you drive at least locally with zero emissions and your vehicle does not need any oil for engine lubrication. If the electricity for the electric vehicle is generated from alternative energies, the drive does not produce any CO₂ emissions.

Lower costs per kilometre

The cost of electricity per kilometre of mileage is usually well below the fuel costs for internal combustion engines.

Low maintenance and wear costs

Electric vehicles have fewer moving parts than vehicles with internal combustion engines and, thanks to recuperation, their brakes are placed under less strain. This reduces the costs for maintenance and typical wear parts.

Agile driving behaviour

The almost noiseless electric drives offer a special driving experience with impressive acceleration.

No compromises for the interior

The battery of the EQV is stored in the underbody of the vehicle, so there's nothing taking up space inside.

Positive image

The EQV with electric drive is progressive and environmentally friendly and thus strengthens your image.

On-demand charging options.

Thanks to the Combined Charging System (CCS) you are very flexible with the EQV from Mercedes-Benz when it comes to charging stations and wallboxes. The charging cable just needs to be plugged into the CCS vehicle socket (Combo 2).

Did you know that you can precondition the climate in the EQV while it is charging? A real plus in comfort, because you start your journey in a vehicle with a pleasant temperature. In addition, you can achieve a greater range because you do not need any energy to heat or cool the interior at the start of the journey.



The battery of the EQV can be charged with direct current (DC) chargers with 110 kW charging power and alternating current (AC) chargers with 11kW charging power.



Wallboxes offer another charging option. In cooperation with country-specific charger installation partners, Mercedes-Benz offers easy and rapid installation of wallbox chargers and professional advice on all aspects of e-mobility. This includes a preliminary check of the installation conditions, a detailed consultation and of course the installation.



The fastest way to charge the EQV is via DC chargers, which are usually found on important traffic routes or shopping malls and which are constantly growing in number.



Use electrical energy as efficiently as possible.



The intelligent operating strategy of the EQV ensures that energy is used as efficiently as possible: With up to 5 recuperation levels and up to 4 driving programs, you can choose between maximum comfort and maximum range. How does recuperation actually work? In the recuperation stages, the vehicle also decelerates when you reduce the pressure on the accelerator pedal. The momentum of the vehicle is used here, and the kinetic energy is recovered in the form of electrical energy and fed into the high-voltage battery. You can use the recuperation levels to select how intensively electrical energy is to be recovered.

The recuperation levels	
D+	Dynamic and predictive strength of recuperation, based on data from the safety assistants, camera and navigation system.
D+	The vehicle "coasts"; there is no recuperation
D -	Further increased recuperation torque
D - -	Maximum recuperation torque, enables "one-pedal driving"

The drive programs	
C	Full drive power with high heating and air conditioning output
E	Range-optimised, offers slightly less power and torque with good heating and air conditioning
E+	Designed for maximum range, engine output and heating and air conditioning output reduced
S	Focus on sporty driving performance with full power and maximum torque as well as high heating and air conditioning performance

The new EQV.

For the next generation. #MakeYourMove

The EQV combines the generous feel-good space of a Mercedes-Benz MPV with a well thought-out electric drive concept and a long range. The electric motor with **150 kW** (204 PS and up to 366 Nm torque impresses with great pulling power, high efficiency and smooth running. The EQV is available with 90 kWh battery capacity as well as in the length long. The large usable capacity of the high-voltage battery with 90 kWh and the fast charging capability of up to 110kW enable long ranges and short charging stops. In addition, the EQV is optionally available with design elements and extensive equipment.

This makes the EQV the right vehicle for all those who want to show how progressive and sustainable mobility can be today. Thanks to its versatility and spaciousness, the EQV is perfect for everyday life and the leisure time of families. As a commercially used vehicle, with the EQV you get a business saloon in which you can work and travel comfortably – and a leisure MPV that meets the highest demands after work and on the weekend.



A range of up to 426 km (NEDC)
with 90 kWh battery capacity



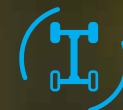
A luggage compartment
volume of up to 1030 l



Approx. 75 minutes charging time
from 10 to 80% at a rapid charging station
with DC 50 kW



Up to 7 seats



Front-wheel drive



Multimedia system
Mercedes-Benz User Experience (MBUX)

Makes driving a pleasure.



Relax, recover, feel good: The EQV is equipped with two luxury seats which pamper your rear passengers with exceptional comfort. Thanks to individually adjustable massage, seat climate control and reclining functions, as well as ambient lighting and integrated stowage compartments and drinks holders, there is virtually nothing left to be desired with regard to comfort. The ergonomic seats at the front increase the sense of well-being with the standard Seat Comfort Package for improved seating comfort.



When it comes to comfort, you don't have to forego anything in the EQV: the electrical operating sliding doors on the left and right for easy entry and exit, the EASY-PACK tailgate with separately opening rear window, and the stylish ambient lighting are just a few examples of the extensive range of comfort features.



With the help of the pioneering MBUX (Mercedes-Benz User Experience) multimedia system, you can operate the EQV with ease. Start voice control with a "Hey Mercedes" and use it to effortlessly control many vehicle functions – for example, pre-entry climate control, navigation and charging settings.

Equipment highlights.



With **MBUX (Mercedes-Benz User Experience)** you receive a multimedia system as standard which leaves virtually nothing to be desired. The modular system is operated intuitively and can be customised and extended for as many as 8 people.



The **standard Driving Assistance Package** promotes safe and relaxed driving by means of the 3 intelligent systems Active Brake Assist, Lane Keeping Assist and Blind Spot Assist. As a result, it can help to avoid accidents or reduce their consequences.



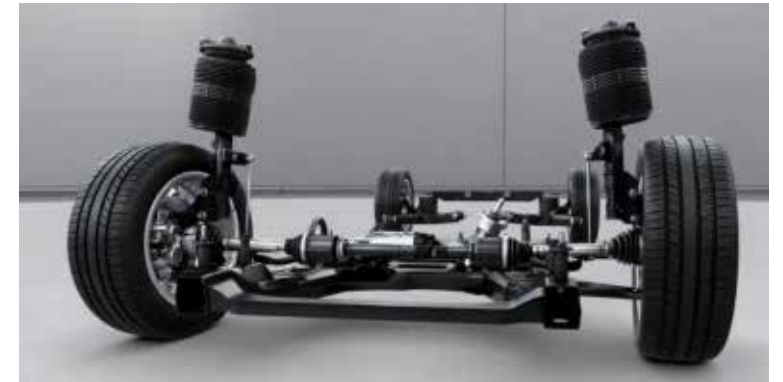
Pre-entry climate control ensures a pleasant temperature in the vehicle prior to departure, which is a great improvement in comfort particularly in hot or cold outside temperatures. It also conserves the battery if activated during the charging process.



With an original front design and further high-quality design and equipment characteristics, the **EQV Exterior Design Package** increases the exclusivity and sportiness of the vehicle.

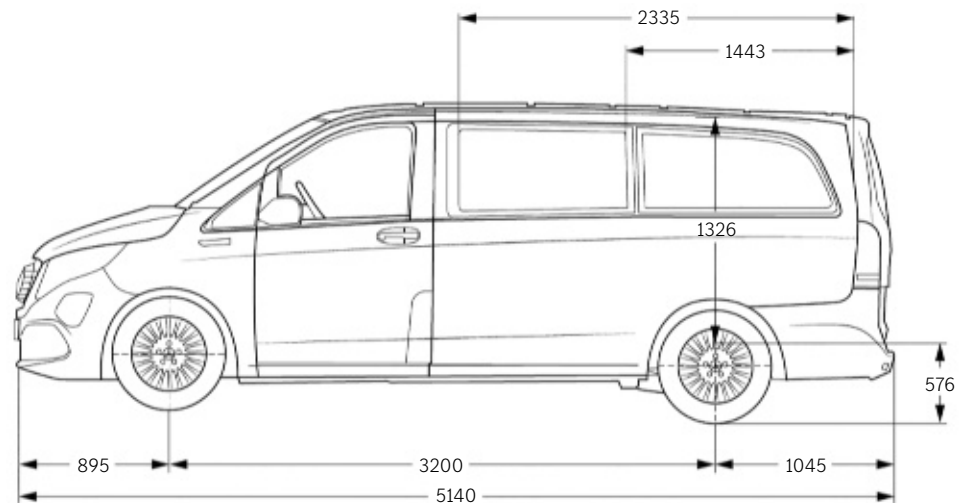
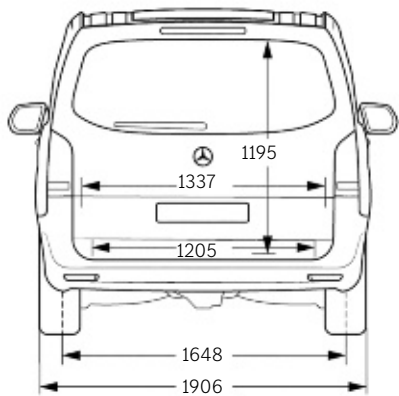
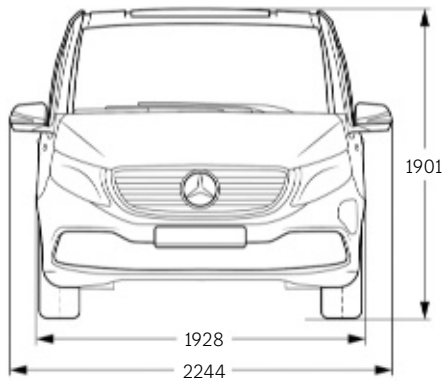


The **AVANTGARDE Line** enhances the exterior and interior with functional and visually attractive equipment – with LED headlights, among other things on the exterior, and comfort seats in Lugano leather and ambient lighting in the interior.



No matter if you are on the motorway or a track with ruts: the **AIRMATIC** air suspension can adjust the suspension to suit the road surface. Damping can be regulated for each individual wheel automatically – to suit the current driving situation and the state of the road.

Technical Data & Dimensions.



EQV 300

Usable battery capacity 90 kWh

Installed battery capacity 100Wh

Up to 426 km range (NEDC)

Electrical consumption 29.8 kWh/100 km¹

Charging times

- in approx. 10 hours from 0 to 100 % with up to 11 kW and alternating current (AC)
- in approx. 75 minutes from 10 to 80 % with up to 50 kW and direct current (DC)
- in approx. 40 minutes from 10 to 80 % with up to 110 kW and direct current (DC)

4 drive programs "E+", "E", "C" and "S"

5 recuperation levels "D- -", "D-", "D", "D+" and "D auto"

All figures in millimetres. The pictured dimensions are mean values. They are valid for vehicles with standard equipment and in unladen condition.

¹Energy consumption figures are derived from combined tests & tested by local regulations in accordance with UN ECE R101. Under real-life driving conditions deviations may occur in comparison to the certified standard values. The actual values are influenced by a number of individual factors, such as personal driving style, environmental and route conditions. Further technical data may be found on www.mercedes-benz.com.sg.

AVANTGARDE Line exterior.

The **AVANTGARDE Line** increases the sportiness and exclusivity of the vehicle – among other things through exterior highlights such as the implementation of LED headlamps and a chrome trim element on the tailgate as well as with interior features such as the comfort seats in Lugano leather and ambient lighting.





More room inside.

Totally in line with your needs: its spacious interior and up to three seat rows mean that the all-electric EQV offers room for up to seven people. The flexible seating concept makes the EQV a real space sensation with a boot capacity of 1,030 litres and load compartment volume of 4,630 litres.



SPORT — F O R — GOOD

For 20 years now it has been our belief that sport has the power to connect people and motivate them in a unique way. We have facilitated urgently needed access to our support programmes for millions of children and young people, so helping them to achieve positive change in their lives. The programmes that we support together with Laureus Sport for Good are in line with the United Nations' Sustainable Development Goals and are part of an exciting major global movement to effect positive change in the world. **In buying a Mercedes-Benz you are supporting the “Laureus Sport for Good” movement.**

Please note: changes may have been made to the product since the editorial deadline (September 2023).

The manufacturer reserves the right to make changes to the design, form, colour and the product specification during the delivery period, provided these changes, while taking into account the interests of the vendor, can be deemed reasonable with respect to the purchaser. Where the seller or the manufacturer uses symbols or

numbers to describe an order or the subject of an order, no rights may be derived solely from these. The illustrations may show accessories and items of optional equipment which are not part of standard specification. For current and more specific information in relation to the regulations and requirements in your own country and their consequences, please contact our authorised dealer. **www.mercedes-benz.com.sg**

Mercedes-Benz Singapore Pte. Ltd.



Mercedes-Benz Singapore Customer Care Center: 1800 329 7540 · cs.sgp@cac.mercedes-benz.com

Cycle & Carriage (Authorised Dealer) – Showroom Enquiries: 6298 1818.

Mercedes-Benz Center, 301 Alexandra Road, Singapore 159968. Mon - Sat: 8.30 am - 7 pm, Sun & PH: 10 am - 6 pm.