

EQE
THIS IS FOR
ALL SENSES.



THIS IS FOR ALL SENSES.

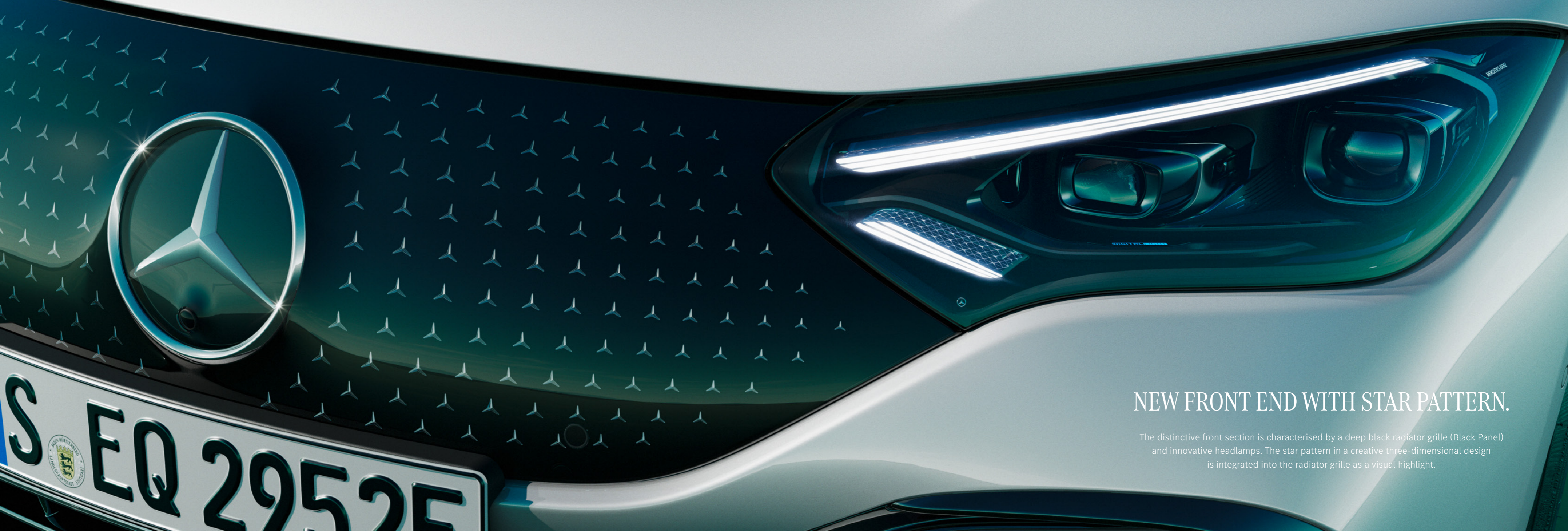
The new EQE combines sensuous aesthetics with pioneering engineering artistry at the highest level. Experience a new, luxurious era of electric mobility.



LUXURY FROM ANY ANGLE.

Even at first glance it is clear: the EQE embodies a new era. The main characteristic feature is the striking one-bow design – a coupé-like shoulder line that flows sweepingly from the rear to the front, emphasising hallmark features such as the three-dimensional Mercedes-Benz pattern on the front.





NEW FRONT END WITH STAR PATTERN.

The distinctive front section is characterised by a deep black radiator grille (Black Panel) and innovative headlamps. The star pattern in a creative three-dimensional design is integrated into the radiator grille as a visual highlight.

EXCELLENT RANGE. ZERO EMISSIONS.

Carefree travelling in the new EQE: thanks to high ranges,
short charging times and zero local emissions.



ELECTRIC MOBILITY FOR ALL SENSES.

Driving with all senses: sounds that respond dynamically to the way you drive, a sensuous mix of materials and fragancing in the interior ensure that the time you spend in the new EQE is always highly enjoyable.



PERFECT RESTRAINT.

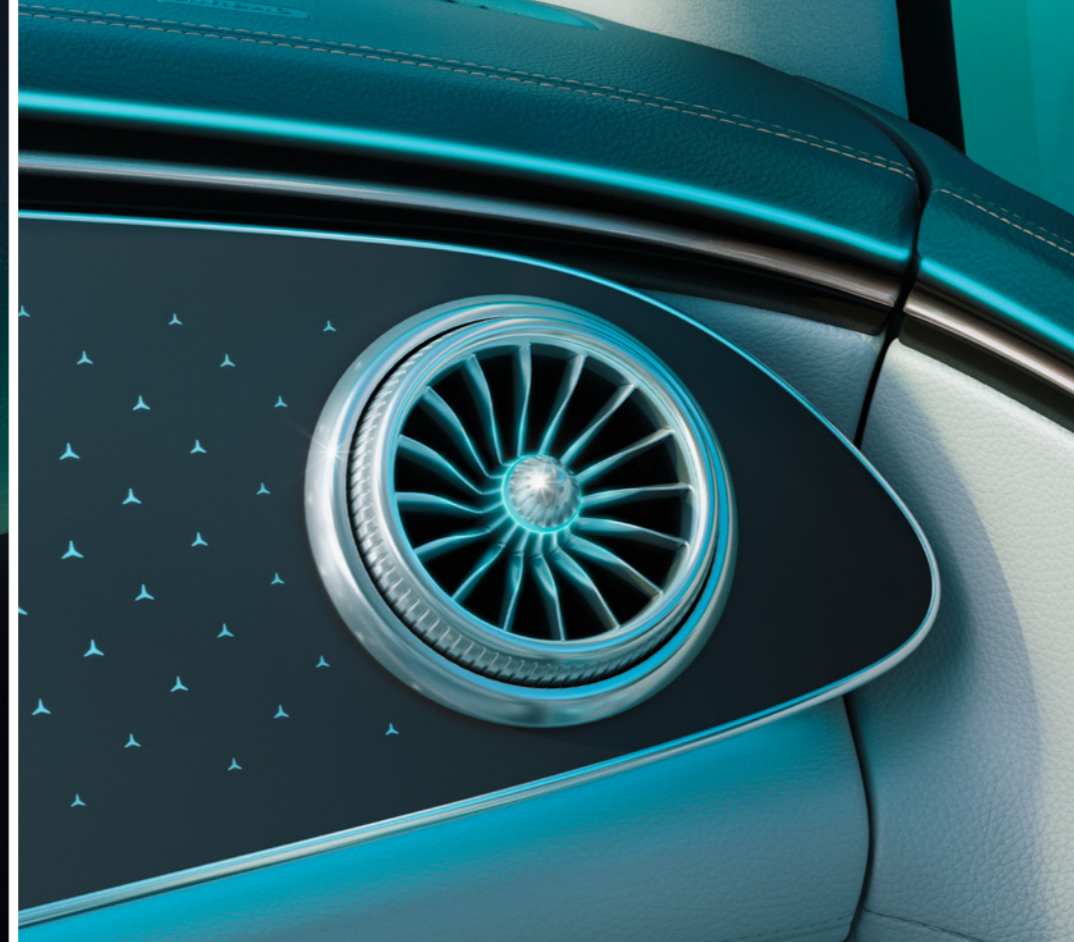
Eight air chambers and four vibration elements ensure outstanding comfort in the optional multicontour seats. Ten massage programs in two intensities turn every ride into a wellness session.





Flush-fitting door handles.

Seamless design perfected: the flush-fitted door handles are seamlessly integrated into the vehicle body and round off the elegant appearance of your Mercedes. The handles extend automatically if you are in the immediate vicinity of the vehicle as you unlock it. As soon as you lock the vehicle or drive off, the handles retract again.



Air filter system with HEPA filter.

With a filter efficiency of up to 99.65%, the new HEPA (High Efficiency Particulate Air) fine dust filter can clean the incoming air of the smallest particles such as pollen and fine dust particles and neutralise unpleasant odours.



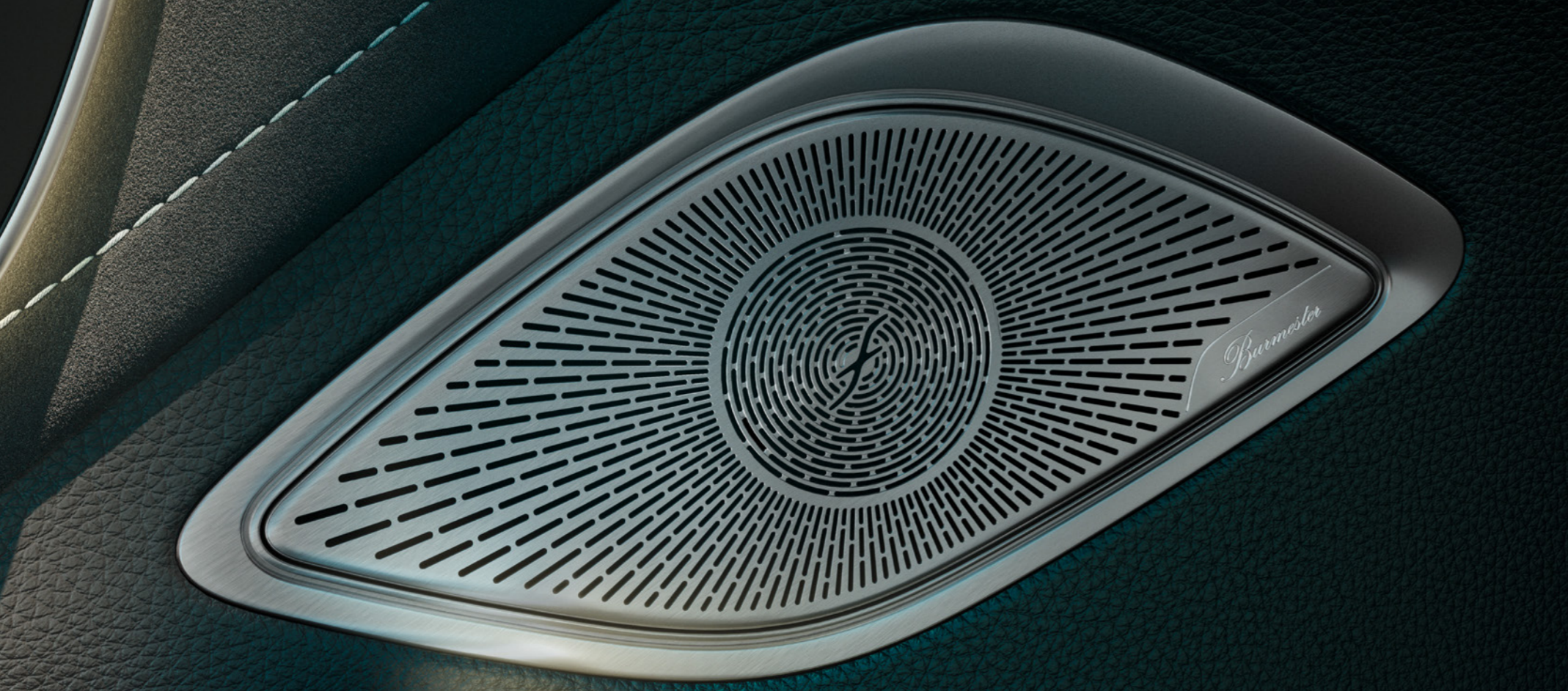
Active ambient lighting.

With the active ambient lighting, you are experiencing a technological leap. It combines aesthetics with innovative driver information and extended functions. Light strips and trim elements all the way round meld to form an additional level of lighting. This also supports driving assistance systems visually and thus emphasises the intelligence of your vehicle.



Digital light.

Intelligent foresight: the optional DIGITAL LIGHT headlamp technology with a projection function in the new EQE complements the MULTIBEAM LED headlamps with their high-resolution lighting technology. The light acts in an anticipatory manner, adapting to the course of the road and the traffic situation.



Burmester® surround sound system.

Experience enhanced audio performance with exquisite Burmester® sound. The optional high-quality speakers develop an impressive level of surround sound. You can specifically optimise this for the front and rear seats to intensify the listening experience. The specially designed Sound Experience in the vehicle interior also reinforces the electric driving feel.

AMG Line exterior.

With the expressive styling of the AMG Line, you can lend the exterior of your EQE a fascinatingly dynamic touch. It transposes sporty AMG genes into the electric business class – for example with the AMG-specific front apron and AMG light-alloy wheels.



Electric Art interior.

With the Electric Art interior you experience progressive luxury with all the senses. For the seat covers, for example, there are high-quality materials such as leather and nappa leather to choose from. The ambient lighting as well as the back-lit trim element with Mercedes-Benz pattern create a futuristic lounge ambience.



Technical data.

Electric motor

Rated output (kW [hp])

Rated Torque (Nm)

Electric range min-max (WLTP)

Acceleration : 0-100km/h (s)

Top speed (km/h)

Consumption and emissions

Consumption (LTA) [kWh/100km]

CO2 emissions equivalent (g/km)

VES Band

HV battery

Energy Capacity (kWh)

Max charging, DC (kW)

Max charging, AC (kW)

DC charging time 10-80% SOC (min) [170 kW]

AC charging time 10-100% SOC (h) [11kW]

Electric motors EQE 350+

215 [292]

565

587-669

6.4

210

18.4

74

A1

90.6

170

11

32

7.4

Mercedes-AMG EQE 43 4MATIC

350 [476]

858

462-535

4.2

210

20.9

84

A1

90.6

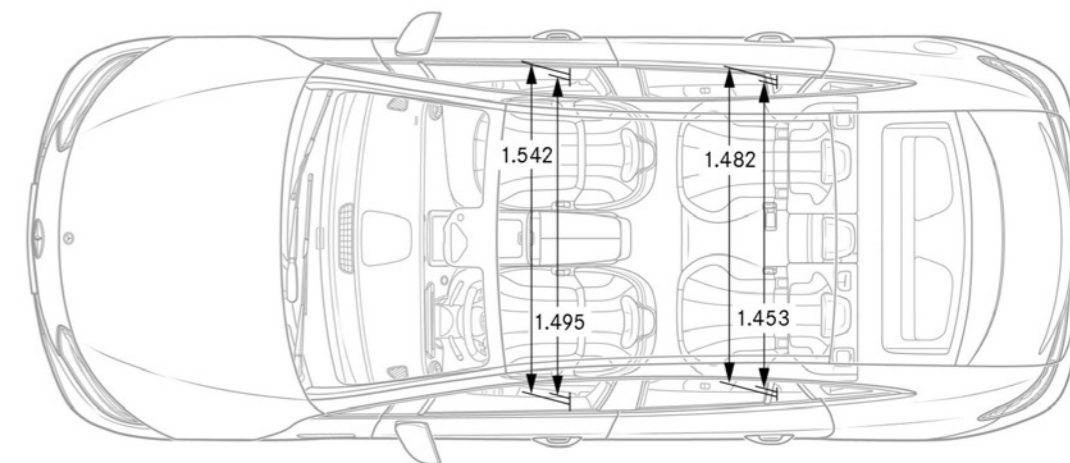
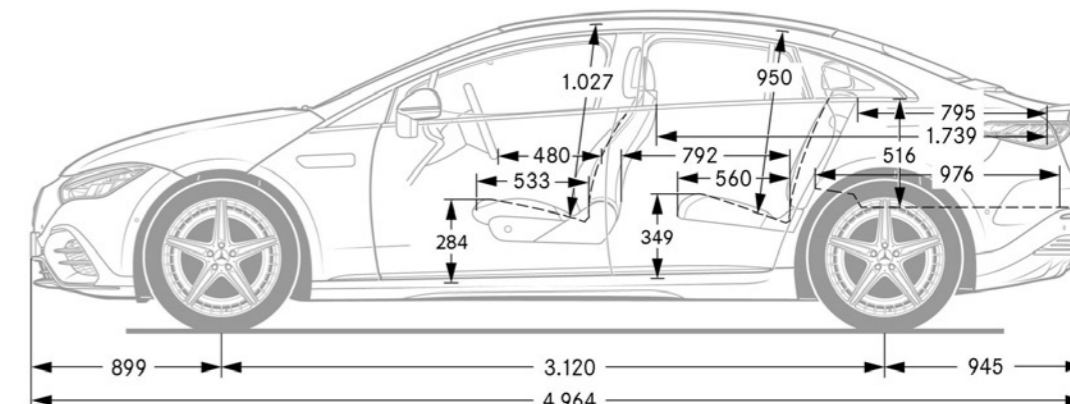
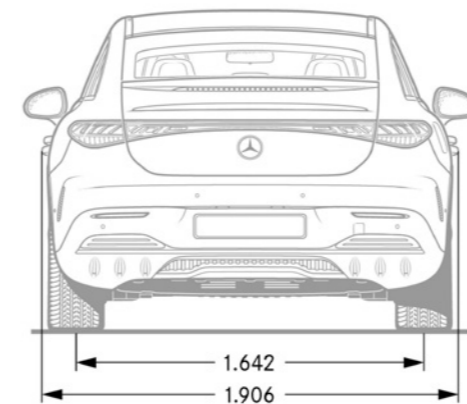
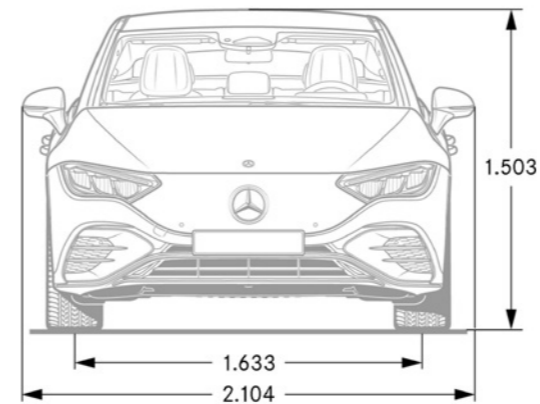
170

11

32

7.4

Dimensions.



All figures in millimetres. The dimensions shown are mean values. They are valid for vehicles with standard equipment and in unladen condition.



SPORT - F O R - GOOD

For 20 years now it has been our belief that sport has the power to connect people and motivate them in a unique way. We have facilitated urgently needed access to our support programmes for millions of children and young people, so helping them to achieve positive change in their lives. The programmes that we support together with Laureus Sport for Good are in line with the United Nations' Sustainable Development Goals and are part of an exciting major global movement to effect positive change in the world. **In buying a Mercedes-Benz you are supporting the "Laureus Sport for Good" movement.**

Please note: changes may have been made to the product since the editorial deadline (September 2023). The manufacturer reserves the right to make changes to the design, form, colour and the product specification during the delivery period, provided these changes, while taking into account the interests of the vendor, can be deemed reasonable with respect to the purchaser. Where the seller or the manufacturer uses symbols or numbers to describe an order or the subject of an order, no rights may be

derived solely from these. The illustrations may show accessories and items of optional equipment which are not part of standard specification. For current and more specific information in relation to the regulations and requirements in your own country and their consequences, please contact our authorised dealer. www.mercedes-benz.com.sg

Mercedes-Benz Singapore Pte. Ltd.



Mercedes-Benz Singapore Customer Care Center: 1800 329 7540 · cs.sgp@cac.mercedes-benz.com
Cycle & Carriage (Authorised Dealer) – Showroom Enquiries: 6298 1818.

Mercedes-Benz Center, 301 Alexandra Road, Singapore 159968. Mon – Sat: 8.30 am – 7 pm, Sun & PH: 10 am – 6 pm.